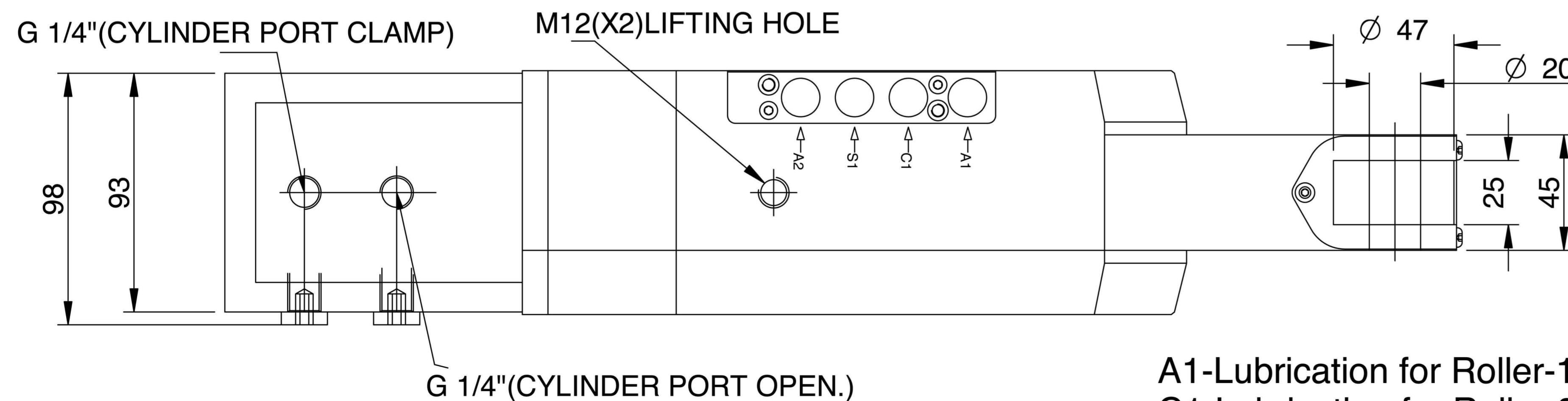
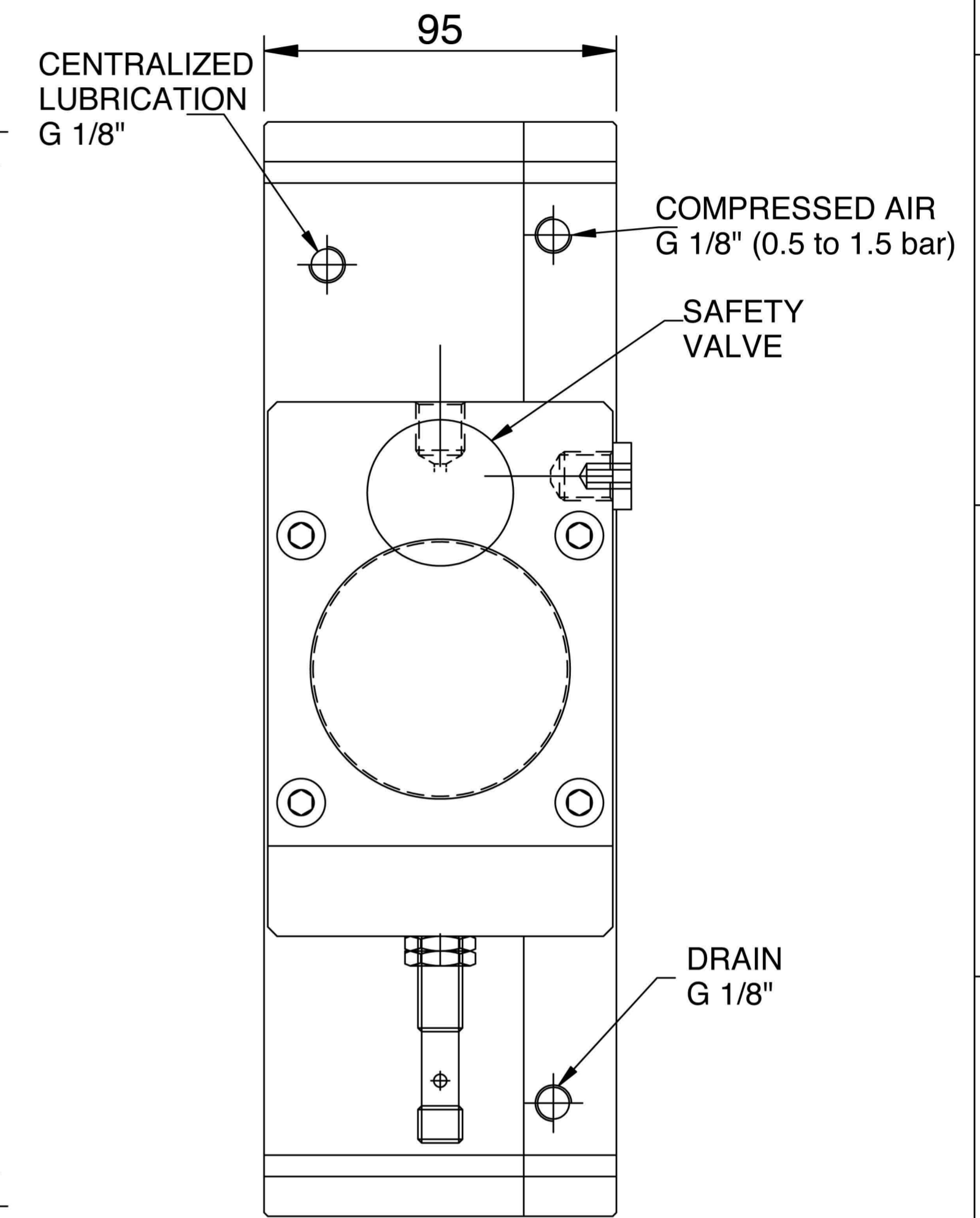
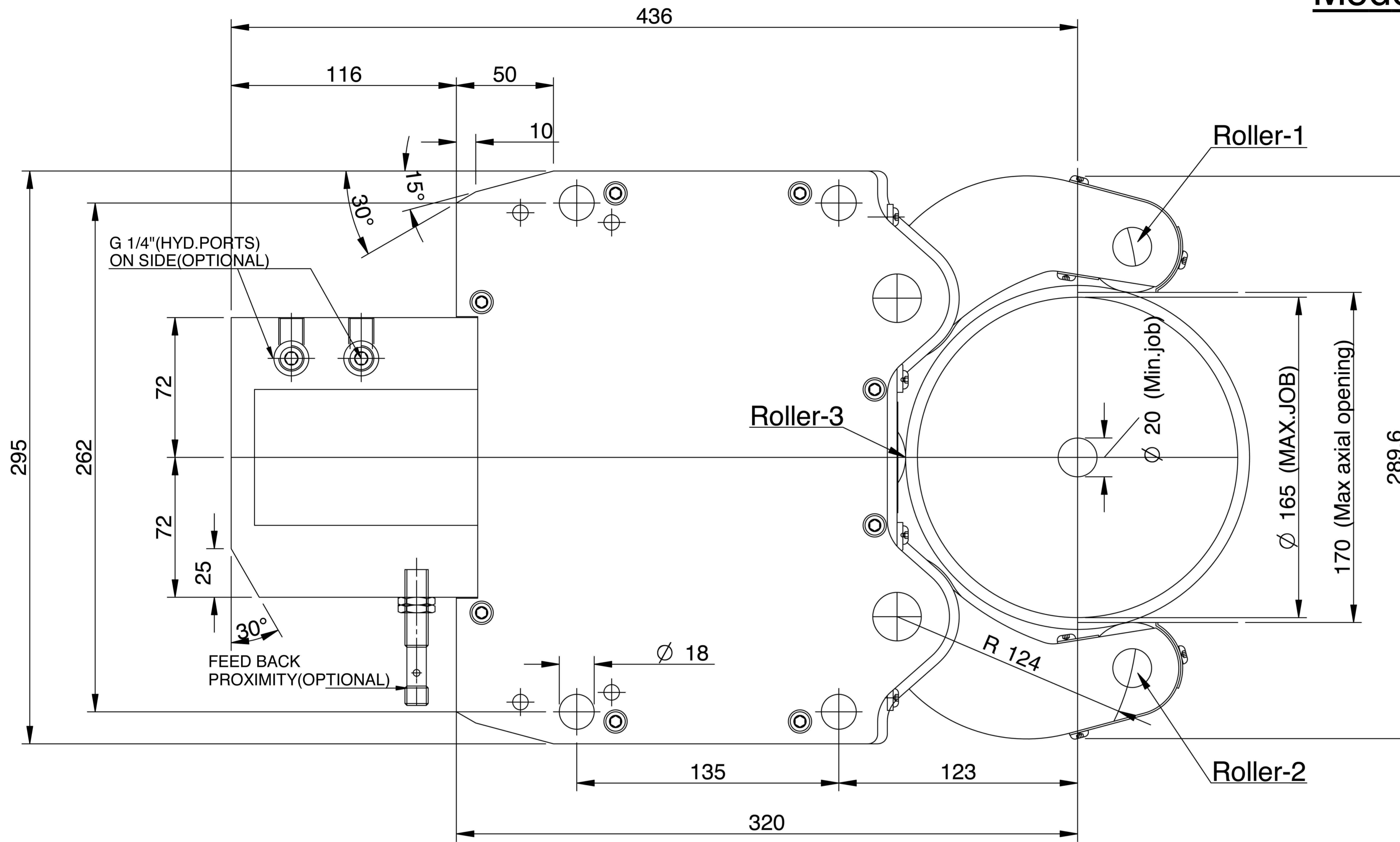


# Model:FRU-N3.1



A1-Lubrication for Roller-1  
 C1-Lubrication for Roller-3  
 S1-Lubrication for Guide way  
 A2-Lubrication for Roller-2

SPECIFICATION SHEET		
1.	Steady model	FRU-N3.1
2.	Centering range dia	20-165mm
3.	Piston dia	70 mm
4.	Operating pressure	8-80 bar
5.	Max clamping force/ roller	1000 dan
6.	Centering accuracy	0.04 mm
7.	Repetability	0.007 mm
8.	Max roller surface speed	725 m/ min
9.	Weight(approx)	48 Kg

Semi product:	Final size:	Material:	Qty:	Weight:	Scale:	
IS 2102-1969 General tolerances where not specified						
Linear Dimension		Angular Dimension				
Over	Up to	Tol.	Over	Up to	Tol.	
0.5	6	±0.1	10	10	±1°	
6	30	±0.2	30	120	±0.3	
30	120	±0.5	120	315	±0.5	
120	315	±0.8	315	1000	±0.8	
315	1000	±1.0	1000	2000	±1.2	
Heat treatment    Hardness    Case depth						

Alterations	Advice No	Description	No. of Places	Old No.	Name	Date
Designation: OVERALL LAYOUT				Drawn		30/11/12
				Checked		30/11/12
				Approved		
				Drawing No. FRU-N3.1-05-001A-3		
				No. of Sheets:    Sheet No.		



IF IN DOUBT ASK. DO NOT MEASURE DRAWING  
 Surface finish Ra value - μm  
 Roughness No: N1 N2 N3 N4 N5 N6 N7 N8 N9 N10 N11 N12